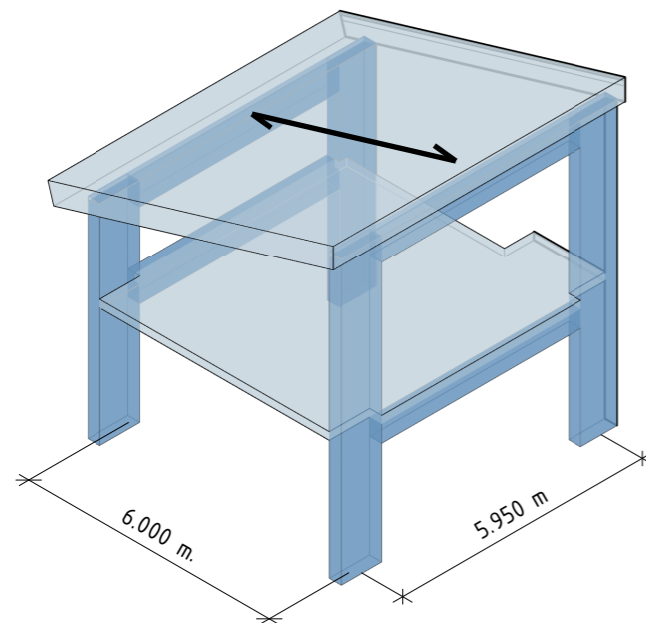


# Option C

## LVL Panels



Roof Assembly		Weight	Floor Assembly		Weight
	<u>sdmhbo01-01</u> (Dead load)	0.66 kN/m		<u>gdmnxn01a-00</u> (Dead load)	2.35 kN/m
	<u>LVL G 120 2s</u> (Self weight)	0.61 kN/m		<u>LVL G 180 3s</u> (Self weight)	0.92 kN/m
	Live load	0.14 kN/m		Live load	1.50 kN/m
	<b>Total</b>	<b>1.41 kN/m</b>		<b>Total</b>	<b>4.77 kN/m</b>
Girder (Roof)	<u>LVL G 150 5s</u>		Girder	<u>LVL G 240 4s</u>	
	Tributary width	3.45 m		Tributary width	3.00 m
	Dead load (Linear)	4.38 kN/m		Dead load (Linear)	9.81 kN/m
	Self weight (Girder)	0.27 kN/m		Self weight	0.49 kN/m
	Live load	0.50 kN/m		Live load	4.50 kN/m
	<b>Total</b>	<b>5.15 kN/m</b>		<b>Total</b>	<b>14.80 kN/m</b>
Column (1st Level)	<u>LVL G 108 3s</u>		Column (Ground Level)	<u>LVL G 150 5s</u>	
	Tributary length	2.98 m		Tributary length	2.98 m
	Dead load (Point)	15.81 kN		Dead load (Floor)	33.56 kN
	Self weight	0.26 kN		Dead load (Roof)	17.55 kN
	Live load	1.49 kN		Self weight	0.36 kN
	<b>Total</b>	<b>17.55 kN</b>		Live load	13.39 kN
				<b>Total</b>	<b>64.86 kN</b>