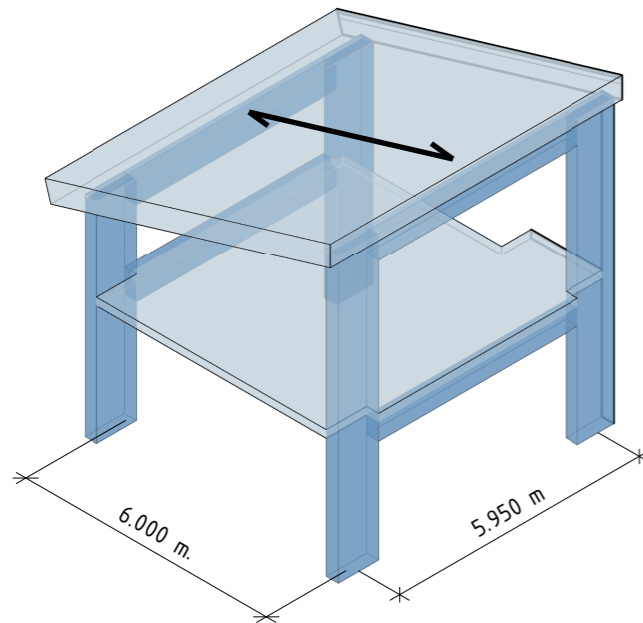


Option B

Rib Panels



Roof Assembly		Weight	Floor Assembly		Weight
	<u>sdmhbo01-01 (Dead load)</u>	0.66 kN/m		<u>gdmnxn01a-00 (Dead load)</u>	2.35 kN/m
	Rib 60 C3s (Self weight)	0.45 kN/m		Rib 90 C3s (Self weight)	0.85 kN/m
	Live load	0.14 kN/m		Live load	1.50 kN/m
	Total	1.25 kN/m		Total	4.70 kN/m
<hr/>					
Girder (Roof)			Girder (Floor)		
	<u>GL 24h (15x35cm)</u>			<u>GL 24h (20x45cm)</u>	
	Tributary width	3.45 m		Tributary width	3.00 m
	Dead load (Linear)	3.83 kN/m		Dead load (Linear)	9.60 kN/m
	Self weight (Girder)	0.26 kN/m		Self weight	0.45 kN/m
	Live load	0.50 kN/m		Live load	4.50 kN/m
	Total	4.59 kN/m		Total	14.55 kN/m
<hr/>					
Column (1st Level)			Column (Ground Level)		
	<u>Solid Timber C24 (15x15cm)</u>			<u>Solid Timber C24 (20x20cm)</u>	
	Tributary length	2.98 m		Tributary length	2.98 m
	Dead load (Point)	14.06 kN		Dead load (Floor)	32.58 kN
	Self weight	0.35 kN		Dead load (Roof)	15.90 kN
	Live load	1.49 kN		Self weight	0.63 kN
	Total	15.90 kN		Live load	13.39 kN
				Total	62.49 kN