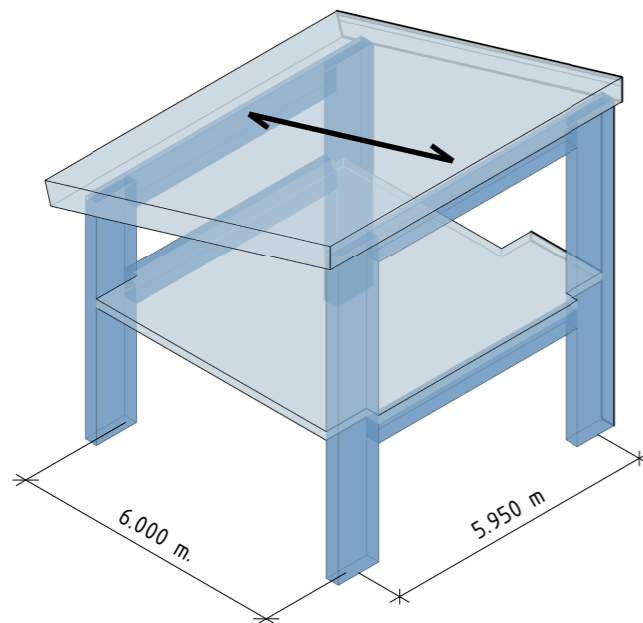


Option A

CLT Panels



Roof Assembly		Weight	Floor Assembly		Weight
	sdmhbo01-01 (Dead load)	0.66 kN/m		gdmnxn01a-00 (Dead load)	2.35 kN/m
	CLT 140 L5s (Self weight)	0.70 kN/m		CLT 240 L7s (Self weight)	1.20 kN/m
	Live load	0.14 kN/m		Live load	1.50 kN/m
	Total	1.50 kN/m		Total	5.05 kN/m
<hr/>					
Girder (Roof)		GL 24h (20x35cm)	Girder (Floor)		GL 24h (20x45cm)
	Tributary width	3.45 m		Tributary width	3.00 m
	Dead load (Linear)	4.69 kN/m		Dead load (Linear)	10.65 kN/m
	Self weight (Girder)	0.35 kN/m		Self weight	0.45 kN/m
	Live load	0.50 kN/m		Live load	4.50 kN/m
	Total	5.54 kN/m		Total	15.60 kN/m
<hr/>					
Column (1st Level)		GL 24h (15x15cm)	Column (Ground Level)		GL 24h (16x20cm)
	Tributary length	2.98 m		Tributary length	2.98 m
	Dead load (Point)	17.55 kN		Dead load (Floor)	35.70 kN
	Self weight	0.35 kN		Dead load (Roof)	19.39 kN
	Live load	1.49 kN		Self weight	0.47 kN
	Total	19.39 kN		Live load	13.39 kN
				Total	68.95 kN