

EXISTING BUILDING

EXISTING BUILDING

DETAIL AX

BBVA - Bank

+0.15M LVL

+0.15M LVL

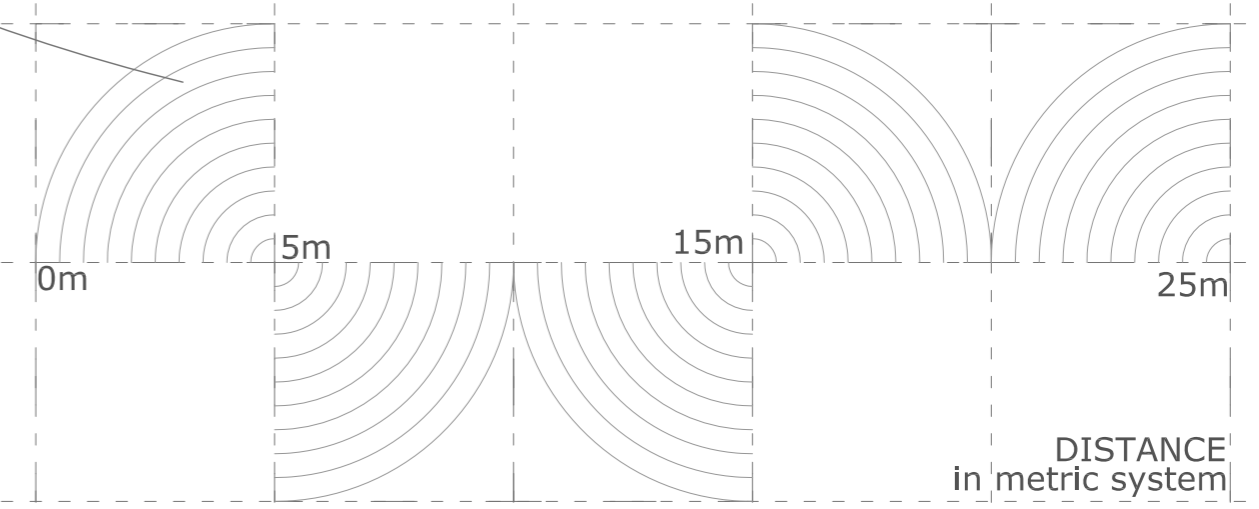
+0.15M LVL

+0.15M LVL

(41°22'49.84"N, 2° 9'14.18"E)
(±0.0m - MSL ~ assumed)

EXISTING BUILDING

EXISTING BUILDING



DISTANCE
in metric system



TIME
@ average cycling speed - 18kmph

Activate Public Space
Machine Protocols - Activating the Superilles
IAAC Introductory Studio 2016

Mubashir Jabir / Vishesh Behl
Sayali Avhad / Eveline Il'ina